

ASMA KİLİTLER

PADLOCKS



KD001/10-160

GRİ DÖKÜM
IRON
60 mm

KD001/10-120



GRİ DÖKÜM
IRON
20 mm

KD001/10-125



GRİ DÖKÜM
IRON
25 mm

KD001/10-130



GRİ DÖKÜM
IRON
30 mm

KD001/10-140



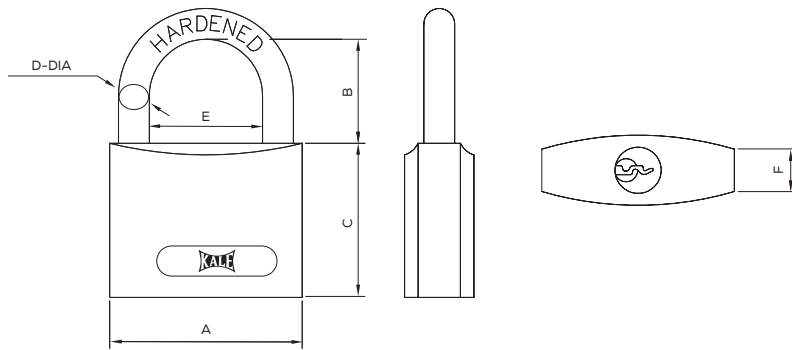
GRİ DÖKÜM
IRON
40 mm

KD001/10-150



GRİ DÖKÜM
IRON
50 mm

TEKNİK BİLGİLER | TECHNICAL SPECIFICATIONS



	TİP/TYPE	A	B	C	D	E	F	
	KD001/10-120	20	21 mm	21	11.1	3.3	10.7	11
	KD001/10-125	25	25 mm	24	13.8	4.3	12.7	12.5
	KD001/10-130	30	32 mm	30	16.4	5.3	16.7	15
	KD001/10-140	40	38 mm	34	21.7	6.3	19.7	17.7
	KD001/10-150	50	50 mm	41	25	9	25	23
	KD001/10-160	60	63 mm	50	32.3	10.5	32.5	26.5