

### KD040/30-282 B

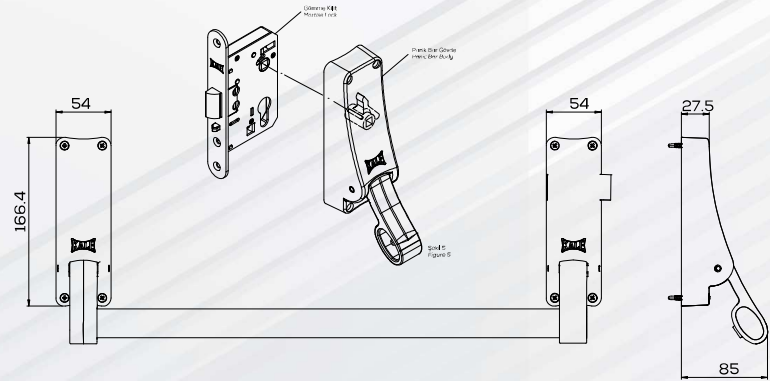
CONCEALED LOCK (W/OUT CYLINDER)  
(GRAY BODY-GRAY BAR)



### TECHNICAL SPECIFICATIONS

#### KD040/30-282 B

<b>BODY</b>	Aluminium
<b>ASSEMBLY</b>	For single-leaf doors and fire doors
<b>INTENDED USE</b>	Suitable for left or right-hand doors. Suitable for doors at a width of up to 1,300 mm. The tubular steel bar can be cut to a width of the door on the site.
<b>LOCKING SYSTEM</b>	(KD040/30-282 if it is equipped with a barrel) a circular 3-key cylinder lockable from outside and Panic Device from inside
<b>OPTIONAL</b>	2-key arm unit lockable from outside



### KD040/30-282 B-1-K

CONCEALED LOCK (W/OUT CYLINDER)  
(GRAY BODY-RED BAR)



### KD040/30-282 B-2-K

CONCEALED LOCK (W/OUT CYLINDER)  
(BLACK BODY-RED BAR)



### KD040/30-282 B-2-G

CONCEALED LOCK (W/OUT CYLINDER)  
(BLACK BODY-GRAY BAR)



### KD040/30-282 B-2-S

CONCEALED LOCK (W/OUT CYLINDER)  
(BLACK BODY-BLACK BAR)

